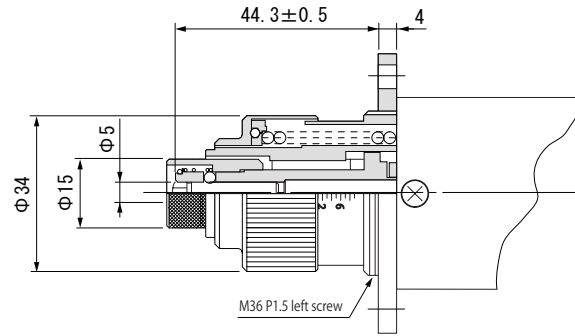
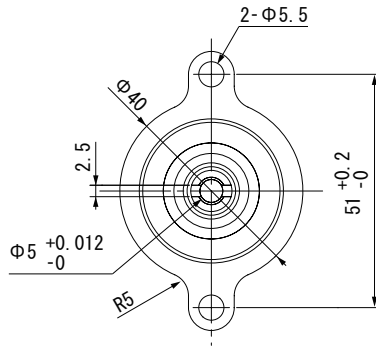


# BLF-7000



The flange has a left hand thread

Dimensional drawings in mm